

2026 RESIDENTIAL SERVICES PRICE BOOK

SHOP WITH COMPLETE CONFIDENCE IN OUR PRICES

THIS PRICE BOOK IS VALID FROM MAY 1st 2026 TO DECEMBER 31th 2026

ANY PRICES NOT SHOWN HERE CAN BE QUOTED WITH ANY OF OUR TEAM MEMBERS

MAINTENANCE SERVICES

STANDARD MAINTENANCE SERVICE

\$199

KEEP YOUR SYSTEM RUNNING SMOOTHLY.

A PREVENTIVE MAINTENANCE SERVICE DESIGNED TO KEEP YOUR AC SYSTEM CLEAN, OPERATING PROPERLY, AND READY FOR THE COOLING SEASON. THIS SERVICE FOCUSES ON THE MOST IMPORTANT ROUTINE CLEANING AND PERFORMANCE CHECKS TO HELP REDUCE BREAKDOWNS AND MAINTAIN SYSTEM EFFICIENCY.



OUR SERVICE INCLUDE

- ✓ **CLEANING OF THE OUTDOOR CONDENSER COIL**
- ✓ **INSPECTION AND CLEANING OF ACCESSIBLE EVAPORATOR COIL SURFACES**
- ✓ **DRAIN LINE FLUSH TO HELP PREVENT CLOGS AND WATER BACKUP**
- ✓ **FILTER REPLACEMENT SERVICE IF CUSTOMER-PROVIDED FILTER IS AVAILABLE**
- ✓ **ELECTRICAL INSPECTION AND TIGHTENING OF ACCESSIBLE CONNECTIONS**
- ✓ **BASIC PERFORMANCE CHECK OF THE SYSTEM WHILE OPERATING**
- ✓ **OUTDOOR UNIT WASH-DOWN**
- ✓ **THERMOSTAT PERFORMANCE CHECK**




IMPORTANT NOTE: THIS SERVICE DOES NOT INCLUDE REMOVAL OF THE EVAPORATOR COIL OR BLOWER ASSEMBLY FOR DEEP CLEANING, AND IT DOES NOT INCLUDE REFRIGERANT LEVEL TESTING OR REFRIGERANT RECHARGE.

MAJOR MAINTENANCE SERVICE

\$689

KEEP YOUR SYSTEM RUNNING SMOOTHLY.



A DEEPER MAINTENANCE SERVICE FOR SYSTEMS THAT NEED MORE THAN A STANDARD TUNE-UP. THIS OPTION INCLUDES A MORE THOROUGH INTERNAL CLEANING AND REFRIGERANT PERFORMANCE VERIFICATION TO HELP IMPROVE OPERATION, AIRFLOW, AND OVERALL SYSTEM CONDITION.

OUR SERVICE INCLUDE

- ✓ **CLEANING OF THE OUTDOOR CONDENSER COIL**
- ✓ **REMOVAL AND DEEPER CLEANING OF THE EVAPORATOR COIL AS NEEDED**
- ✓ **REMOVAL AND CLEANING OF THE BLOWER ASSEMBLY**
- ✓ **DRAIN LINE FLUSH TO HELP PREVENT CLOGS AND WATER BACKUP**
- ✓ **FILTER REPLACEMENT SERVICE IF CUSTOMER-PROVIDED FILTER IS AVAILABLE**
- ✓ **ELECTRICAL INSPECTION AND TIGHTENING OF ACCESSIBLE CONNECTIONS**
- ✓ **FULL PERFORMANCE CHECK OF THE SYSTEM WHILE OPERATING**
- ✓ **THERMOSTAT PERFORMANCE CHECK**
- ✓ **REFRIGERANT LEVEL TESTING USING FIELD GAUGES / PROBES**



IMPORTANT NOTE: REFRIGERANT ADDED TO THE SYSTEM IS BILLED SEPARATELY PER POUND WHEN REQUIRED.

ADD-ON SERVICES

REFRIGERANT POUND RECHARGE ADD-ON

\$89 lbs

FLOAT SWITCH ADD-ON

\$229 ea

CAPACITOR REPLACEMENT ADD-ON

\$249 ea

CONTACTOR REPLACEMENT ADD-ON

\$259 ea

CONDENSER DISCONNECT REPLACEMENT ADD-ON

\$269 ea

APRILAIRE AUV24V UV LIGHT ADD-ON

\$469 ea

TOPTECH - TECHPURE GERMICIDAL UV LIGHT 24VN ADD-ON

\$609 ea

AIR KNIGHT PX5 AIR PURIFICATION SYSTEM 24V, 5" (UP TO 2 TON) ADD-ON

\$1,509 ea

AIR KNIGHT IPG AIR PURIFICATION SYSTEM 24V, 7" (2.5 TON) ADD-ON

\$1,699 ea

AIR KNIGHT IPG AIR PURIFICATION SYSTEM 24V, 14" (3-7.5 TON) ADD-ON

\$1,859 ea



BENEFITS

ADD-ON SERVICES ARE THE MOST COST-EFFECTIVE WAY TO TAKE ADVANTAGE OF OUR WORK. WHEN THESE SERVICES ARE COMPLETED DURING THE SAME VISIT, YOU AVOID EXTRA TRIP CHARGES AND OTHER INDIRECT COSTS THAT WOULD NORMALLY MAKE THEM MORE EXPENSIVE IF SCHEDULED AS SEPARATE STAND-ALONE SERVICES.

**STAND-ALONE
AIR QUALITY SERVICES**

APRILAIRE AUV24V UV LIGHT

\$649 ea

TOPTECH - TECHPURE GERMICIDAL UV LIGHT 24VN

\$759 ea

AIR KNIGHT PX5 AIR PURIFICATION SYSTEM 24V, 5" (UP TO 2 TON)

\$1,879 ea

AIR KNIGHT IPG AIR PURIFICATION SYSTEM 24V, 7" (UP TO 2.5 TON)

\$2,069 ea

AIR KNIGHT IPG AIR PURIFICATION SYSTEM 24V, 14" (3-7.5 TON)

\$2,229 ea

BENEFITS

A UV LIGHT HELPS KEEP YOUR AC SYSTEM CLEANER BY TARGETING MOLD, BACTERIA, AND OTHER BUILDUP WHERE MOISTURE COLLECTS INSIDE THE UNIT. THIS CAN HELP IMPROVE AIR QUALITY, REDUCE UNWANTED ODORS, AND SUPPORT A CLEANER, MORE EFFICIENT SYSTEM.

AN AIR PURIFIER SYSTEM COMBINES UV LIGHT WITH ADVANCED AIR CLEANING TO HELP REDUCE DUST, ALLERGENS, ODORS, BACTERIA, AND OTHER AIRBORNE PARTICLES THROUGHOUT YOUR HOME. IT IS A GREAT UPGRADE FOR FAMILIES WHO WANT CLEANER AIR, BETTER COMFORT, AND EXTRA PEACE OF MIND KNOWING THEIR AC SYSTEM IS HELPING PROTECT THE AIR THEY BREATHE.



SPECIFICATION

Model AUV24V

UVC Coil Cleaner

FEATURES

- Kills up to 99.9% of mold on surfaces*
- Easy installation with two mounting options - external bracket and internal magnet
- Improves AC systems' efficiency
- Cost-effective solution for chemical-free coil cleaning

*Testing performed on Aspergillus niger mold spores in a sheet metal duct with a new bulb placed 18 inches from the surface.



SPECIFICATIONS

Dimensions Lamp Assembly: Dia x L Ballast Assembly: H x D x L	Lamp: 0.50" x 17.38" Ballast: 2.5" x 1.75" x 2.8"
Shipping Weight : unit /case of 12	2.35 lbs (1.06 kg) / 30 lbs (13.6 kg)
AC Voltage	24 VAC
Power	17 Watts
Lamps included	1
Cord between ballast and lamp	4 ft (1.22 m)
Optional 40VA Plug-In Transformer (Part # 8029)	40VA Plug-In Transformer Input - 120 VAC +/- 10%, 60Hz 0.45 Amp Output - 24 VAC +/- 20% 40VA Max Load Efficiency Level - IV
Internal Duct Installation	2 parts bracket with magnetic holder
On-duct installation	Duct mounting plate
Visual status on the ballast	Solid LED - Normal Operation Single Flashing LED - Change Lamp Flashing LED - Error <small>Refer to Operation Instructions for Error Codes</small>
Reset button on ballast	At lamp change, reset the counter to 8760 hrs
UV Wavelength in Nanometers (nm)	254nm (UVC)
UV Lamp/ Configuration	T5 - 4 Pins
Nominal UV Lamp Length	16 inches (40 cm)
Lamp Change Out Time (hrs)	8,760 Hours or 1 Year (continuous use)
Lamp Warranty	1 year
Ballast warranty	5 years
Lamp part number	AUVRPB - Replacement Lamp

PRINCIPLE OF OPERATION

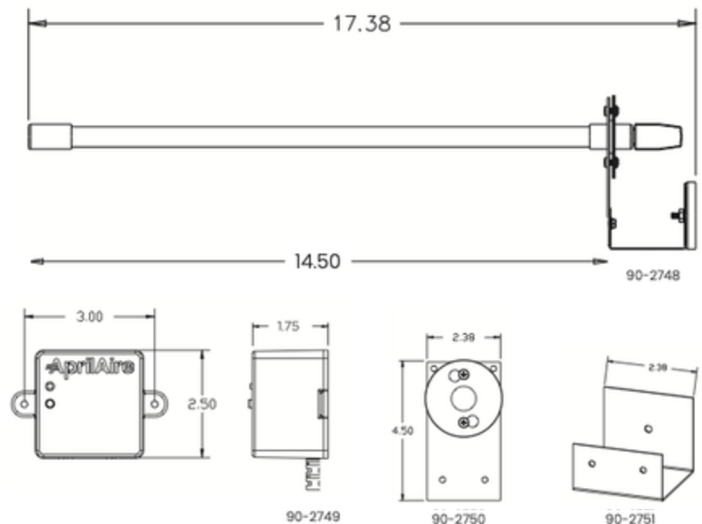
Installed over the evaporator coil, the AUV24V coil cleaner keeps the system running at top efficiency, saving you electricity and preventing the coil from becoming a source of bad air quality.

APPLICATION

The AUV24V is equipped with a powerful UV lamp designed to destroy and prevent mold and bio-film from growing on the evaporator coil and surrounding areas.

BOX CONTENTS

- 16" UVC (254nm) lamp
- Electronic 24V ballast with LED system status indicator
- Magnetic multi-bracket for various types of installations
- Mounting hardware
- White cotton gloves
- Lamp change-out reminder decal
- Installation instructions



TechPure

GERMICIDAL UV LIGHT



GERMICIDAL UV LIGHT WORKS WITH YOUR HOME'S FILTRATION SYSTEM 24/7 TO OPTIMIZE INDOOR AIR QUALITY BY INACTIVATING SARS COV-2 IN .25 SECONDS ON SURFACES WHERE THE LIGHT SHINES.

- Inactivates SARS CoV-2, bacteria, and mold on surfaces where the light shines when professionally installed¹.
- Works in conjunction with your filtration system to optimize indoor air quality.
- UL 2998 no-ozone compliant.
- Operates 24/7 sanitizing the surfaces of cooling coils, drain pans, and duct surfaces where the UV light shines. Professional installation is required for optimal UV-C HVAC performance.
- Advanced, next generation UV light technology.
- New, extended-life, 18,000 hour UV lamp.
- Designed for any residential system.



PART#
15" - #TT-UV24-15 **REPL. LAMP PART#**
15" - #TT-UVB15
*Replace lamp every two years.

DIMENSIONS:

Unit: 5"L x 3.25"W x 2"H
Bracket: 3.5"L x 2.25"W x 3.5"H
POWER: 24VAC, 50/60Hz. 4-ft lamp cord
LAMP: 15", 1.1A, 18,000 hr life.
WEIGHT: Less than 2 lbs.
HUMIDITY: Water resistant lamp
WARRANTY: 5-yr power supply. 2-yr lamp.



5YR[®]
WARRANTY

OZONE FREE
— —

Air Knight PX5

AIR PURIFICATION SYSTEM

TECHNOLOGY SERIES



REDUCE ODORS AND INACTIVATES BACTERIA¹ IN YOUR INDOOR AIR!



UV purification technology improves indoor air quality.



Expanded range ballast for increased reliability.



Auxiliary power port for addition of 24V germicidal light.



Designed for both commercial² and residential applications.

www.airknightiaq.com

Scan with your
smartphone
to learn more.





**TECHNOLOGY
SERIES**



Designed for both commercial
and residential applications.

**REDUCE ODORS, VIRUS¹, AND
DUST IN YOUR INDOOR AIR!**



Dual technology, in-duct air
purification.



Can improve the performance of
existing filtration systems.



Inactivates bacteria, odors, and VOC's.¹



New and Improved carbon fiber
ionization.

www.airknightiaq.com

Scan with your
smartphone
to learn more.

